



# 3M™ 7500 Series Half Mask

## Cleaning and Inspection



### Before Use

- Inspect respirator for incorrectly fitted and/or damaged parts. Replace if necessary
- Inspect the exhalation valve and seat. Any damaged or deteriorated valves should be replaced

### Monthly

- Carry out all the 'Before Use' inspections
- Check:
  - Face Seal
  - Straps and Head harness
  - Valves
- Create record of this monthly check

### After Use

- Cleaning is recommended after each use
- Remove the gas/vapour and/or particulate filters
- Clean with 3M 105 wipe or by immersing in warm cleaning solution, water temperature not to exceed 50°C and scrub with a soft brush until clean
- Rinse in fresh warm water
- Air dry in a non-contaminated atmosphere

### Ordering Consumables, Repair Parts and Accessories

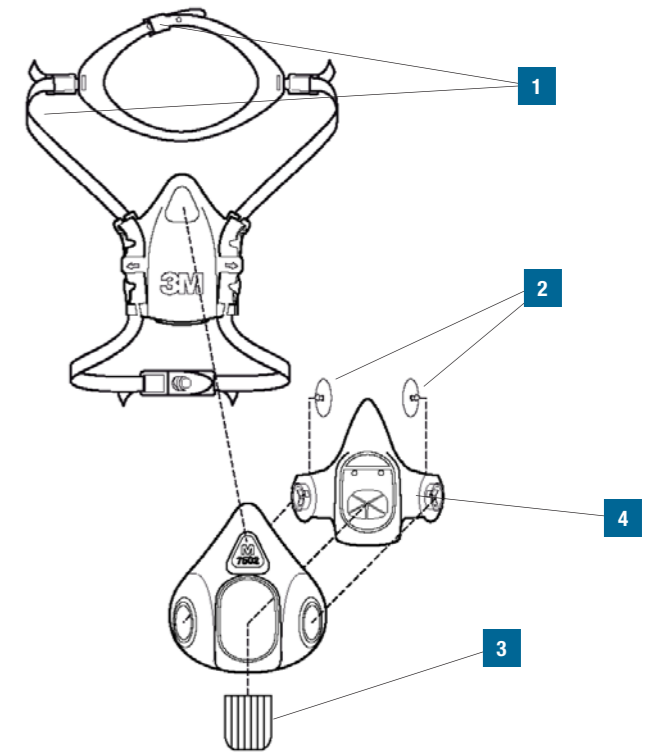
To request a quote or place an order for these items, please contact your 3M Approved Distributor.

### Further Information and Advice

If you require additional guidance on Care and Maintenance of your 3M Reusable Respirators, please contact the helpline.

### 3M Health and Safety Helpline

0870 60 800 60 (UK)  
1 800 320 500 (Ireland)



		3M Part Number
1	Head Harness	7581
2	Inhale Valve	7582
3	Exhale Valve	7583
4	Filter Holder	7586

**REPLACE ALL DAMAGED PARTS IMMEDIATELY TO ENSURE CORRECT LEVELS OF PROTECTION**